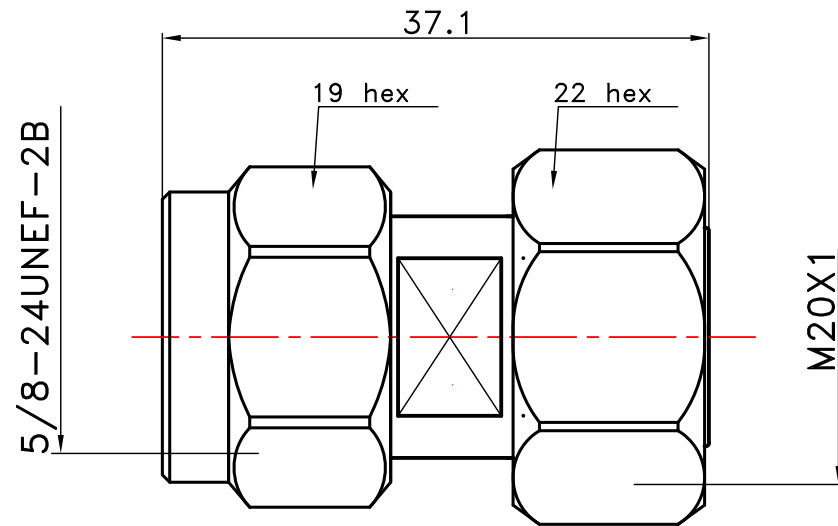


Specification:

- * Frequency Range: DC - 6 GHz
- * VSWR max: 1.15 : 1 (DC - 3GHz), 1.25 : 1 (3 - 6 GHz)
- * PIM: <-168 dBc
(at 1800 MHz, 43dBm per tone)

Materials:

- * Inner Conductor: Silver plated Brass
- * Outer Conductor: Silver plated brass
- * Coupling nut: Trimetal plated brass
- * Dielectric: PTFE



All dimension are in inch unless otherwise specified		SIZE A	SCALE NO	
DRAWING BY: P. Xie	DATE: 3/5/2015	REV. A	SHEET 1/1	
CHECKED BY: W. Lu	DATE: 3/5/2015	PART NO. 23U3-14-5001PIM		TITLE Low PIM 4.3-10 male to N male adapter
APPROVED BY: Z. Jiang	DATE: 3/5/2015			