

NOTES

1.Material & Finishing

Body: Brass, Suco Plating

Center Conductor : Brass, Gold Plating

Other Metal Part: Brass, Nickel Plating

2.Electrical Data:

Impedance: 50 Ohms

Frequency: DC~6GHz

VSWR<1.15Max.

Input Power: 2 Watts Avg. @ 25°C

Derated Linearly to 0.5 Watt @ +125°C

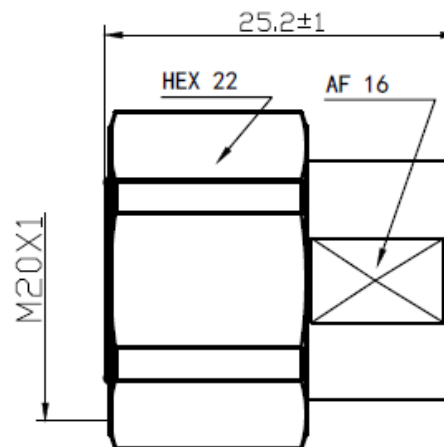
3.Mechanical Data


Durability: 500 Cycle Min.

4.Environment Data

Temperature Range: -40--+125 Deg.C

All materials are RoHS compliance



All DIMENSIONS ARE IN MM UNLESS OTHERWISE SPECIFIED	SIZE A	SCALE NO	
	REV. A	SHEET 1/1	
CAGE CODE: 4KGK3	Title: ePCN-F2427		4.3-10 Male 2 Watt RF LOAD

**Contact us:**

E-mail: sales@evissap.com