



evissap's SMX1 Series mini coaxial cable assemblies have a mated connection height of only 2.5mm (0.098") above PCB surface. The 4000 Series cable assemblies are constructed using eP-Flexible mini-coax cable and low profile connectors which are 100% compatible with Hirose u.FL.

Note: The u.FL connector was enlarged to show detail

Features

- Low profile height: 0.098" (2.5mm)
- Broadband operation DC to 6 GHz
- 100% VSWR test to 6 GHz
- 100% Hi-pot and continuity tests
- Standard delivery <21 days from order
- RoHS compliant per evissap RoHS statement

Overview

Impedance	50 ohms
Frequency Range	DC-6 GHz
Cable	1.37mm micro coax
Cable O.D.	1.37mm nominal

Configuration

Connector 1	SMA Female Bulkhead
	Reverse Polarity
	Ni/Au-plated brass body
Connector 2	SMX1 Right Angle
	100% compatible with Hirose u.FL.

Note: Bulkhead connector includes washer, gasket and hex nut.

Applications

- PCS/Cellular handsets
- Mobile antenna/GPS
- Wireless LAN

evissap Standards

When ordering, please specify cable assembly length in inches. Example: eP4011R-12.5 specifies a 12.5" long cable assembly.
Label will have evissap P/N and Date Code
Shipment will include evissap's standard C of C.
evissap web posted warranty and Terms and Conditions applies
FOB is evissap's San Jose, CA US facility

Electrical Specifications @ +25°C		Unit
Frequency range	DC-6.0	GHz
Maximum VSWR	1.35 to 3 GHz, 1.50 to 6 GHz	:1
Typical velocity of propagation	69.5	%

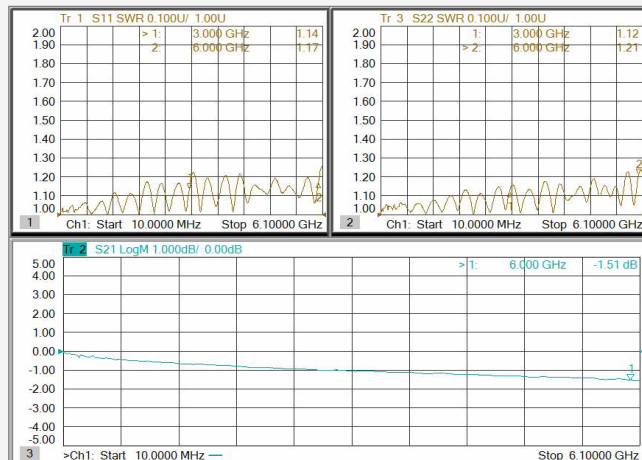
Typical Performance @+25°C	DC-2 GHz	2-4 GHz	4-6 GHz
VSWR (S11) (:1) typ. max.@ 12 in.	1.11	1.22	1.21
Insertion Loss (S21) (dB) typ. max. @ 12 in.	0.90	1.10	1.21

For any length (L in.), estimated insertion loss: C + (S21 value above-C) * (L/12) , Connector loss is C = 2 * .03 √f(GHz)

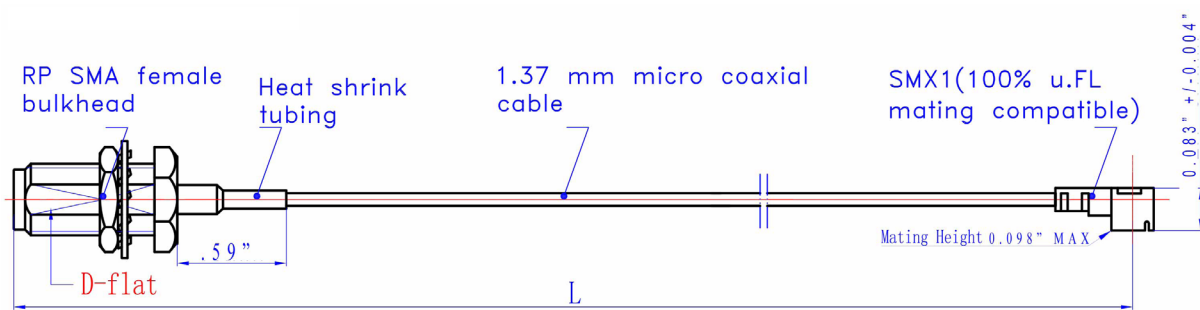
Bulk cable specifications	
Cable Type	1.37mm mini-coax
Cable outer diameter	1.37mm nominal
Inner conductor/finish	Silver-coated copper
Dielectric type	FEP
Jacket material	FEP

Connector specifications	Connector 1	Connector 2
Configuration	Straight	Right Angle
Connector Type	RP SMA Female bulkhead	SMX1
Anti-Torque hex size	0.315"	N/A
Coupling nut hex size	N/A	N/A
Coupling nut material/finish	N/A	N/A
Connector body material/finish	Ni/Au	Ni/Au
Dielectric type	PTFE	N/A

Typical performance data for 12" cable @+25°



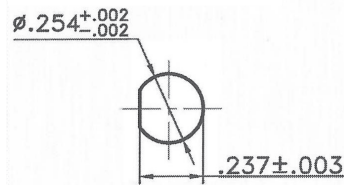
Outline drawing



Standard length tolerances

L (inches)	Tolerance (inches)
2.0-5.9	+/-0.125
6.0-11.9	+/-0.187
12.0-23.9	+/-0.250
24.0-35.9	+/-0.313
36.0-47.9	+/-0.375
48.0-59.9	+/-0.500
60.0-71.9	+/-0.563
72.0-83.9	+/-0.625
>83.9	Please contact evissaP

SMA Female Bulkhead hole pattern, in.



evissaP offers its eP-flexible cable assemblies in a variety of connector interfaces, connector configurations, cable diameters and outer jacket options. eP-flexible cable assemblies are built using lead free solder in combination with state-of-the-art induction soldering techniques. If you cannot find the exact eP-flexible cable assembly you require, please submit a request along with your requirement information.

evissaP reserves the right to change specifications, prices and any other information at any time without prior notice.

Document: eP4011-LL-137
Rev: -