

**Low Profile Single Shield Mini-Coax PCB Jumper Cable Assembly**  
DC-6 GHz SMA Female Bulkhead, SMX3 Low Profile Right Angle



evissaP's SMX3 Series mini coaxial cable assemblies have a mated connection height of only 1.6mm (0.063") above PCB surface. The 4000 Series cable assemblies are constructed using eP-Flexible single-shield mini-coax cable and low profile connectors which are 100% compatible with Hirose u.FL.

Note: The u.FL connector was enlarged to show detail

**Features**

- Low profile height: 0.063" (1.6mm)
- Broadband operation DC to 6 GHz
- 100% VSWR test to 6 GHz
- 100% Hi-pot and continuity tests
- Standard delivery <21 days from order
- RoHS compliant per evissaP RoHS statement

**Overview**

Impedance	50 ohms
Frequency Range	DC-6 GHz
Cable	0.81 mm 1X shield mini-coax
Cable O.D.	0.81mm nominal

**Configuration**

Connector 1	SMA Female Bulkhead Reverse Polarity Ni/Au-plated brass body
Connector 2	SMX3 Right Angle 100% compatible with Hirose u.FL.

Note: Bulkhead connector includes washer, gasket and hex nut.

**Applications**

- PCS/Cellular handsets
- Mobile antenna/GPS
- Wireless LAN

**evissaP Standards**

When ordering, please specify cable assembly length in inches. Example: eP4015R-12.5 specifies a 12.5" long cable assembly.

Label will have evissaP P/N and Date Code

Shipment will include evissaP's standard C of C.

evissaP web posted warranty and Terms and Conditions applies

FOB is evissaP's San Jose, CA US facility

Electrical Specifications @ +25°C		Unit
Frequency range	DC-6.0	GHz
Maximum VSWR	1.35 to 3 GHz, 1.50 to 6 GHz	:1
Typical velocity of propagation	69.5	%

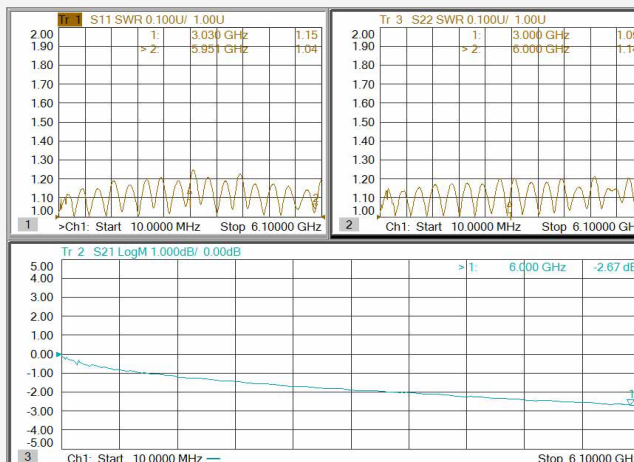
Typical Performance @+25°C	DC-2 GHz	2-4 GHz	4-6 GHz
VSWR (S11) (:1) typ. max.@ 12 in.	1.19	1.24	1.20
Insertion Loss (S21) (dB) typ. max. @ 12 in.	1.45	2.15	2.67

For any length (L in.), estimated insertion loss: C + (S21 value above-C) \* (L/12),  
Connector loss is C = 2 \* .03 √f(GHz)

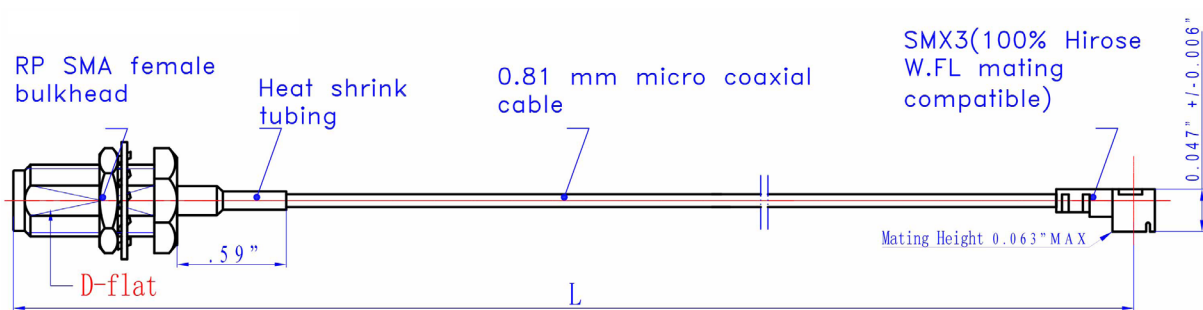
Bulk cable specifications	
Cable Type	0.81mm single-shield mini-coax
Cable outer diameter	0.81mm nominal
Inner conductor/finish	Silver-coated copper
Dielectric type	FEP
Jacket material	FEP

Connector specifications	Connector 1	Connector 2
Configuration	Straight	Right Angle
Connector Type	RP SMA Female bulkhead	SMX3
Anti-Torque hex size	0.315"	N/A
Coupling nut hex size	N/A	N/A
Coupling nut material/finish	N/A	N/A
Connector body material/finish	Ni/Au	Ni/Au
Dielectric type	PTFE	N/A

Typical performance data for 12" cable @+25°

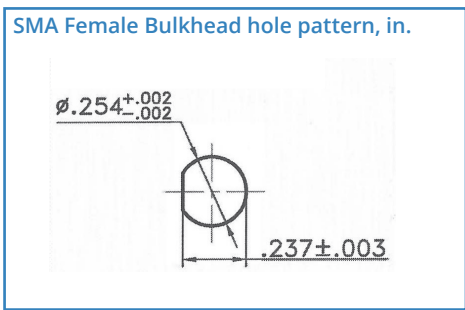


Outline drawing



**Standard length tolerances**

L (inches)	Tolerance (inches)
2.0-5.9	+/-0.125
6.0-11.9	+/-0.187
12.0-23.9	+/-0.250
24.0-35.9	+/-0.313
36.0-47.9	+/-0.375
48.0-59.9	+/-0.500
60.0-71.9	+/-0.563
72.0-83.9	+/-0.625
>83.9	Please contact evissaP



evissaP offers its eP-flexible cable assemblies in a variety of connector interfaces, connector configurations, cable diameters and outer jacket options. eP-flexible cable assemblies are built using lead free solder in combination with state-of-the-art induction soldering techniques. If you cannot find the exact eP-flexible cable assembly you require, please submit a request along with your requirement information.

evissaP reserves the right to change specifications, prices and any other information at any time without prior notice.