



Features

Excellent VSWR, 1.2:1 max.
Ideal for use in laboratory testing.
Available in various connector options.

Overview

Impedance 50 Ohms
Frequency range DC-18.0 GHz

Configuration

Connector 1 SMA Male
Connector 1 specification MIL-STD-348

Connector 2 SMA Male
Connector 2 specification MIL-STD-348

Body style Straight
Adapter design High performance

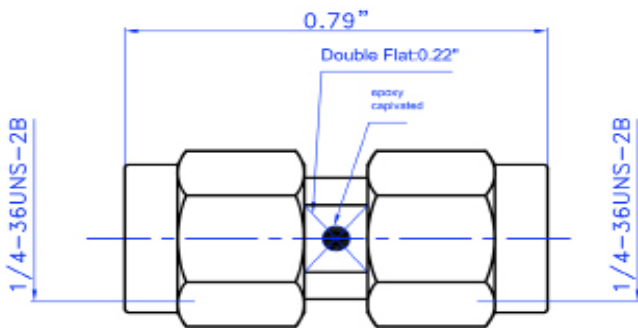
Electrical Specifications @ +25°C		Unit
Frequency range	DC-18.0	GHz
Maximum VSWR	1.20	:1
Insertion Loss	0.05* $\sqrt{\text{Freq in GHz}}$	dB

Typical Performance @+25°C	DC-2 GHz	2-4 GHz	4-6 GHz	6-10 GHz	10-18 GHz
VSWR (S11) (:1)	1.01	1.01	1.01	1.06	1.11

Mechanical Specifications	Connector 1	Connector 2
Inner conductor material/finish	Beryllium Copper/Gold	Beryllium Copper/Gold
Connector body materials/finish	Stainless steel/Passivated	Stainless steel/Passivated
Hex/Wrench flat size (in.)	7/32" flat	07/32" flat
Torque	7-10 in. lbs.	7-10 in. lbs.
Dielectric type	PTFE	PTFE
Mating cycles (typical)	500 cycles	500 cycles
Weight	0.16, [4.5] oz. [gms]	
Length	0.79, [20.1] in. [mm]	
Width	0.315, [8.00] in. [mm]	

* Typical mating cycles is for VSWR performance only.

Outline drawing



This 1313-33-50-001 50 ohm SMA Male to SMA Male adapter is a in-series coaxial adapter product. This 1313-33-50-001 50 ohm SMA Male to SMA Male adapter is precision engineered to strict industry specifications. This 1313-33-50-001 50 ohm SMA Male to SMA Male adapter has broadband operation to 18.0 GHz. 1313-33-50-001 50 ohm SMA Male to SMA Male adapter has a straight body in a high performance design. evissap offers its eP high performance adapters in a variety of connector interfaces and connector configurations. If you cannot find the exact eP high performance adapters you require, please submit a request along with your requirement information.

evissap reserves the right to change specifications, prices and any other information at any time without prior notice.

Document: 1313-33-50-001-DS
Rev: --

