



Features

Excellent VSWR, 1.2:1 max.
Ideal for use in laboratory testing.
Available in various connector options.

Overview

Impedance 50 Ohms
Frequency range DC-6 GHz

Configuration

Connector 1 7/16 DIN Male
Connector 1 specification IEC 169-4

Connector 2 N-type Male
Connector 2 specification MIL-STD-348

Body style Straight

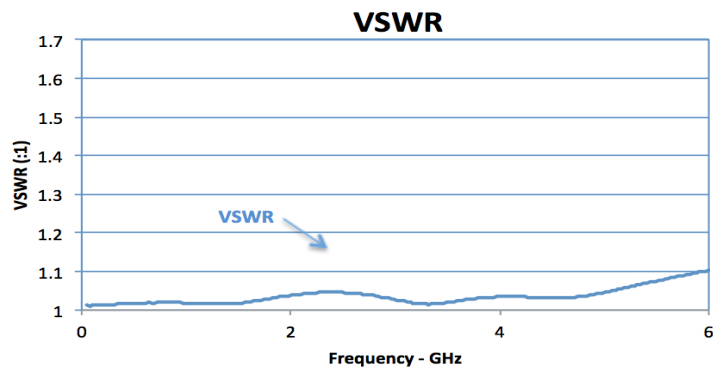
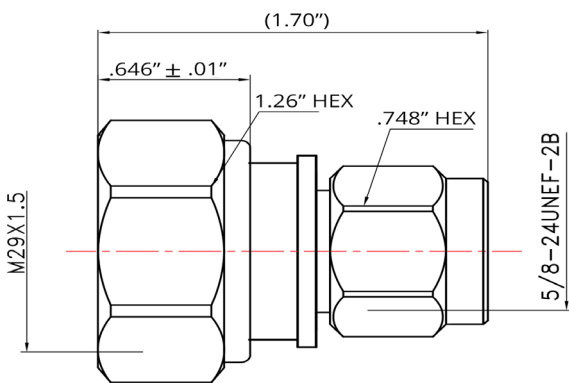
Electrical Specifications @ +25°C		Unit
Frequency range	DC - 6	GHz
Maximum VSWR	1.20	:1
Insertion Loss	0.05* $\sqrt{\text{Freq in GHz}}$	dB

Typical Performance @+25°C	DC-2 GHz	2-4 GHz	4-6 GHz
VSWR (S11 :1)	1.04	1.05	1.11

Mechanical Specifications	Connector 1	Connector 2
Inner conductor material/finish	Beryllium Copper/Silver	Beryllium Copper/Silver
Body material/finish	Brass/Silver	Brass/Silver
Wrench flat size	1.26 in.	.748 in.
Torque	18 - 22 ft. lbs.	8-12 in. lbs.
Dielectric type	PTFE	PTFE
Mating cycles (typical) *	500 cycles	500 cycles
Weight	3.26, [92.5] oz. [gms]	
Length	1.70, [43.2] in. [mm]	
Width	1.26, [32] in. [mm]	

* Typical mating cycles is for VSWR performance only.

Outline drawing



This 23C3-135-5001 50 ohm 7/16 DIN Male to N type Male adapter is a between-series coaxial adapter product. This 23C3-135-5001 50 ohm 7/16 DIN Male to N type Male adapter is precision engineered to strict industry specifications. This 50 ohm 23C3-135-5001 50 ohm 7/16 DIN Male to N type Male adapter has broadband operation to 6.0 GHz. 23C3-135-5001 50 ohm 7/16 DIN Male to N type Male adapter has a straight body. evissap offers its eP Precision adapters in a variety of connector interfaces and connector configurations. If you cannot find the exact eP Precision adapters you require, please submit a request along with your requirement information.

evissap reserves the right to change specifications, prices and any other information at any time without prior notice.

Document: 23C3-135-5001-DS
Rev: --

